

MOTORE, ENGINE, MOTEUR, MOTOR

N°	Code	Q.ty	Descrizione	Description	Description	Beschreibung	Remarks
1	6995173	1	Dado	Nut	Ecrou	Mutter	
2	6995207	1	Ass. Volano Magnete	Flywheel Assy	Volant Aimant	Schwungrad Magnet	
3	6995224	2	Vite	Screw	Vis	Schraube	
4	6995208	2	Aggancio Volano	Flywheel Starter Hook	Fixation Volant	Sperre Schwungrad	
5	6995250	2	Molla Aggancio	Flywheel Spring	Ressort Fixation	Feder Sperrung	
6	6995225	2	Rondella	Washer	Rondelle	Unterlegscheibe	
7	6995247	1	Anello Di Tenuta	Seal Ring	Anneau De Tenue	Dichtring	
8	6995170	2	Cuscinetto	Ball Bearing	Roulement	Lager	
9	6995018	1	Linguetta Volano	Flywheel Key	Languette Volant	Lasche Schwungrad	
10	6995202	1	Albero Motore	Crankshaft	Arbre Moteur	Motorwelle	
11	6995169	2	Rondella	Washer	Rondelle	Unterlegscheibe	
12	6995237	1	Astuccio A Rulli	Needle Bearing	Roul. Aiguilles	Walzenrohr	
13	6995200	1	Pistone	Piston	Piston	Kolben	
14	6995172	1	Spinotto Pistone	Piston Pin	Pointeau Piston	Kolbenbolzen	
15	6995171	2	Fermo Spinotto	Circlip	Circlip Pointeau	Bolzensperre	
16	6995201	1	Fascia Elastica	Piston Ring	Collier Élastique	Kolbenring	
17	6995245	1	Ass. Cilindro	Cylinder Assy	Ens.Cylindre	Set Zylinder	
18	6995186	1	Coppa Sottocilindro	Stabilizer	Stabilisateur	Stabilisator	
19	6995252	4	Vite	Screw	Vis	Schraube	
20	6995248	1	Anello Di Tenuta	Seal Ring	Anneau De Tenue	Dichtring	
21	6995229	4	Vite	Screw	Vis	Schraube	
22	6995185	1	Guarnizione Silenziatore	Muffler Gasket	Garniture Silencieux	Dichtung Schalldämpfer	
23	6995246	1	Silenziatore	Muffler	Silencieux	Schalldämpfer	
24	6995251	1	Piastrina	Plate	Plaque	Halteblech	
25	6995182	2	Vite	Screw	Vis	Schraube	
26	6995210	1	Cavo Massa	Earth Cable	Câble Masse	Erdungskabel	
27	6995227	1	Cavo Di Stop	Stop Wire	Câble Arrêt	Kabelsperre	
28	6995234	2	Vite	Screw	Vis	Schraube	
29	6995209	1	Bobina Elettronica	Electronic Coil	Bobine Électronique	Elektronikspule	
30	6995022	1	Molla Attacco Candela	Spark Plug Spring	Ressort Fixation Bougie	Feder Zündkerzenbef.	
31	6995066	1	Cappuccio Candela	Spark Plug Cover	Capuchon Bougie	Zündkerzenkappe	
32	6995238	2	Distanziale	Bushing	Entretoise	Distanzstück	
33	3210024	1	Candela	Spark Plug	Bougie	Zündkerze	
34	6995183	1	Ass. Collettore Aspirazione	Intake Manifold Assy	Collecteur Aspiration	Kollektor Ansaugung	
35	6995167	2	Vite	Screw	Vis	Schraube	
36	6995212	1	Guarnizione	Gasket	Garniture	Dichtung	
37	6995244	1	Carburatore	Carburettor	Carbureteur	Vergaser	
38	6995214	1	Gommino Leva Aria	Grommet	Caoutchouc Levier Air	Gummi Chockerhebel	
39	6995213	1	Tirante Leva Aria	Choke Lever Rod	Tirant Manette Air	Spannstift Chokerhebel	
40	6995243	1	Base Filtro Aria	Air Filter Support	Base Pour Filtre À Huile	Basis F Luffilter	
41	6995211	1	Piastrina	Plate	Plaque	Platte	
41	6995168	2	Vite	Screw	Vis	Schraube	
43	6995217	1	Filtro Aria	Air Filter	Filtre À Air	Luftfilter	
44	6995216	1	Coperchio Filtro Aria	Air Cleaner Cover	Couvercle Filtre Air	Luftfilterdeckel	
51	23878008/0	2	Vite	Screw	Vis	Schraube	
52	6995175	1	Carter Anteriore	Front Cover	Couvercle Avant	Deckel	
53	6995239	1	Ass.Carter Motore	Crankcase Ass.Y	Ens. Carter Moteur	Paar Motorabdeckung	
54	6995187	2	Vite	Screw	Vis	Schraube	
55	6995221	1	Ass. Valvola Sfiato	Breather Valve Assy	Vanne Évent Réservoir	Set Lüftungsventil	
56	6995232	1	Gommino	Grommet	Caoutchouc	Gummi	
57	6995193	2	Ass. Tappo	Cap Ass'Y	Bouchon	Set Deckel	
58	6995228	1	Air Purge	Air Purge	Air Purge	Air Purge	
59	6995188	1	Ass. tubo pescante	Grommet Ass.Y	Ens.Rondelle Caoutchouc	Set Gummiringe	
60	6995189	1	Gommino Passatubo	Grommet	Caoutchouc Passe-Câble	Gummi	

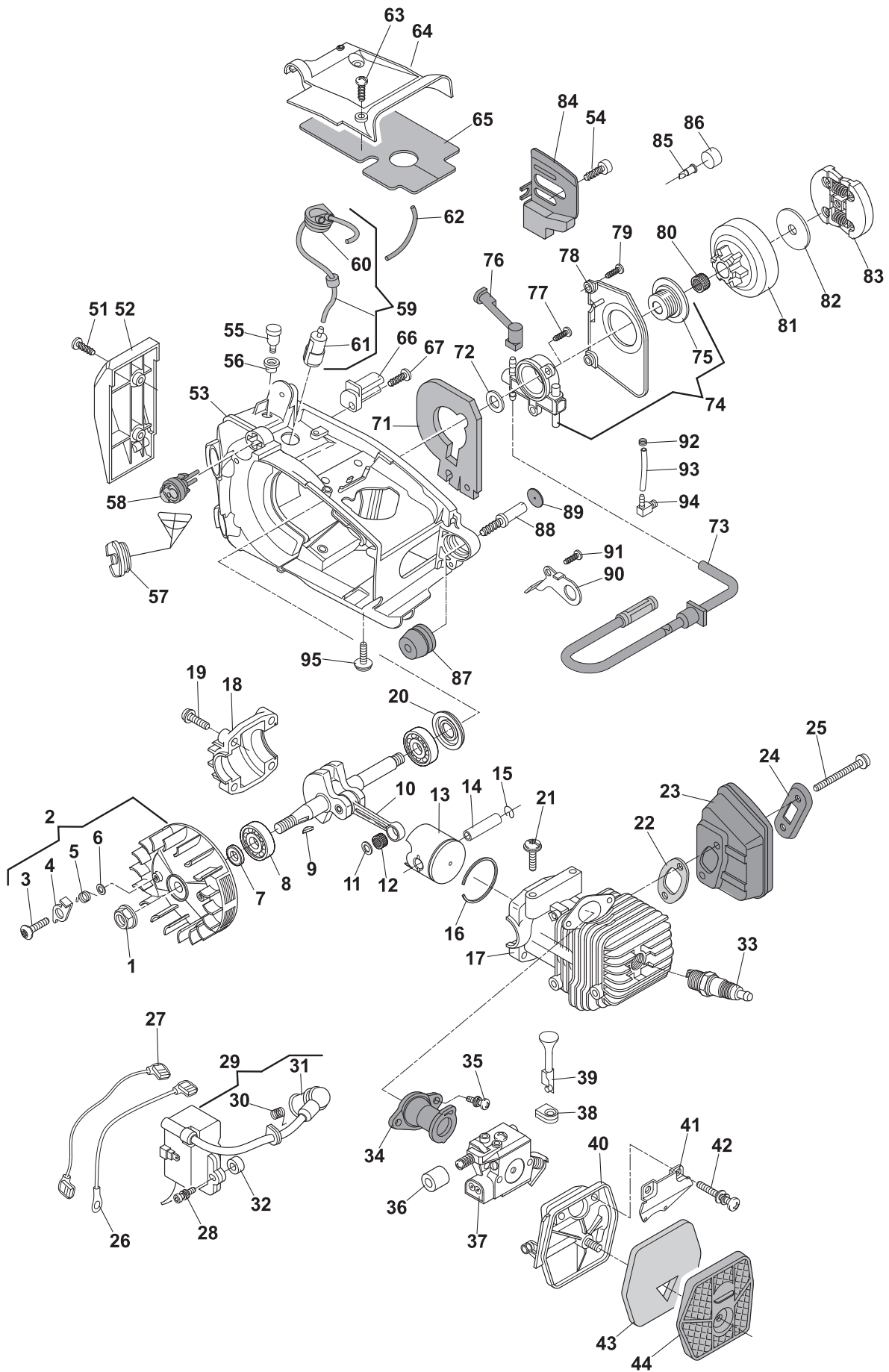
PR 270 - PR 270C

MOTORE, ENGINE, MOTEUR, MOTOR

N°	Code	Qty	Descrizione	Description	Description	Beschreibung	Remarks
61	6995174	1	Ass. Pescante Miscela	Fuel Pickup Assy	Plongeur Mélange	Treibstoffzufuhr	
62	6995190	1	Tubo	Tube	Tube	Rohr	
63	23878008/0	2	Vite	Screw	Vis	Schraube	
64	6995249	1	Carter Superiore	Upper Cover	Couvercle Superieure	Deckel	
65	6995194	1	Protezione	Guard	Protection	Schutz	
66	6995180	1	Fermacatena	Chain Guard	Butée Chaîne	Kettenstop	
67	6995179	1	Vite	Screw	Vis	Schraube	
71	6995204	1	Guarnizione	Gasket	Garniture	Dichtung	
72	6995223	1	Rondella	Washer	Rondelle	Unterlegscheibe	
73	6995191	1	Ass. Pescante Olio C/Tubo	Filter Intank Assy With Pipe	Tube Aspiration Huile	Satz Ölzufuhr M.Schlauch	
74	6995242	1	Ass. Pompa Olio	Oil Pump Assy	Pompe À Huile	Set Ölpumpe	
75	6995222	1	Vite Senza Fine	Female Screw	Vis Sans Fin	Endlosschraube	
76	6995205	1	Tubo	Tube	Tube	Rohr	
77	6995008	2	Vite	Screw	Vis	Schraube	
78	6995206	1	Coperchio Pompa	Cover Pump	Couvercle Pompe	Deckel Ölpumpe	
79	23878008/0	2	Vite	Screw	Vis	Schraube	
80	6995230	1	Gabbia A Rulli	Needle Bearing	Cage À Roulements	Walzenkäfig	
81	6995176	1	Ass.Campana Frizione 3/8"	Drum Ass'Y, Clutch 3/8"	Cloche Friction 3/8"	Set Kupplungsglocke 3/8"	
81	6995178	1	Ass.Campana Frizione 1/4"	Drum Ass'Y, Clutch 1/4"	Cloche Friction 1/4"	Set Kupplungsglocke 1/4"	
82	6995203	1	Rasamento Campana	Sprocket Washer	Rondelle Cloche	Scheibe Glocke	
83	6995177	1	Ass. Frizione	Clutch Ass.Y	Friction	Set Kupplung	
84	6995241	1	Piastrina	Plate	Plaque	Platte	
85	6995220	1	Valvola	Valve	Vanne	Ventil	
86	6995192	1	Guarnizione	Gasket	Garniture	Dichtung	
87	23275005/0	1	Gommino Antivibrante	Shock Absorber	Caoutchouc Antivibrations	Schwingungsdämpfer	
88	23878007/0	1	Vite	Screw	Vis	Schraube	
89	23790006/0	1	Tappo Per Gommino Antivib	Cap	Bouch. Pour Caout. Anti-Vib.	Stopfen	
90	6995219	1	Staffa	Clamp	Etrier	Bride	
91	23878009/0	1	Vite	Screw	Vis	Schraube	
92	6995231	1	Fascetta	Fair Led	Fixation De Cable	Kabelbefestigung	
93	6995184	1	Tubo	Tube	Tube	Rohr	
94	6995235	1	Raccordo Tubi	Tube Connection	Connexion Tube	Anschluss	
95	6995181	1	Vite	Screw	Vis	Schraube	

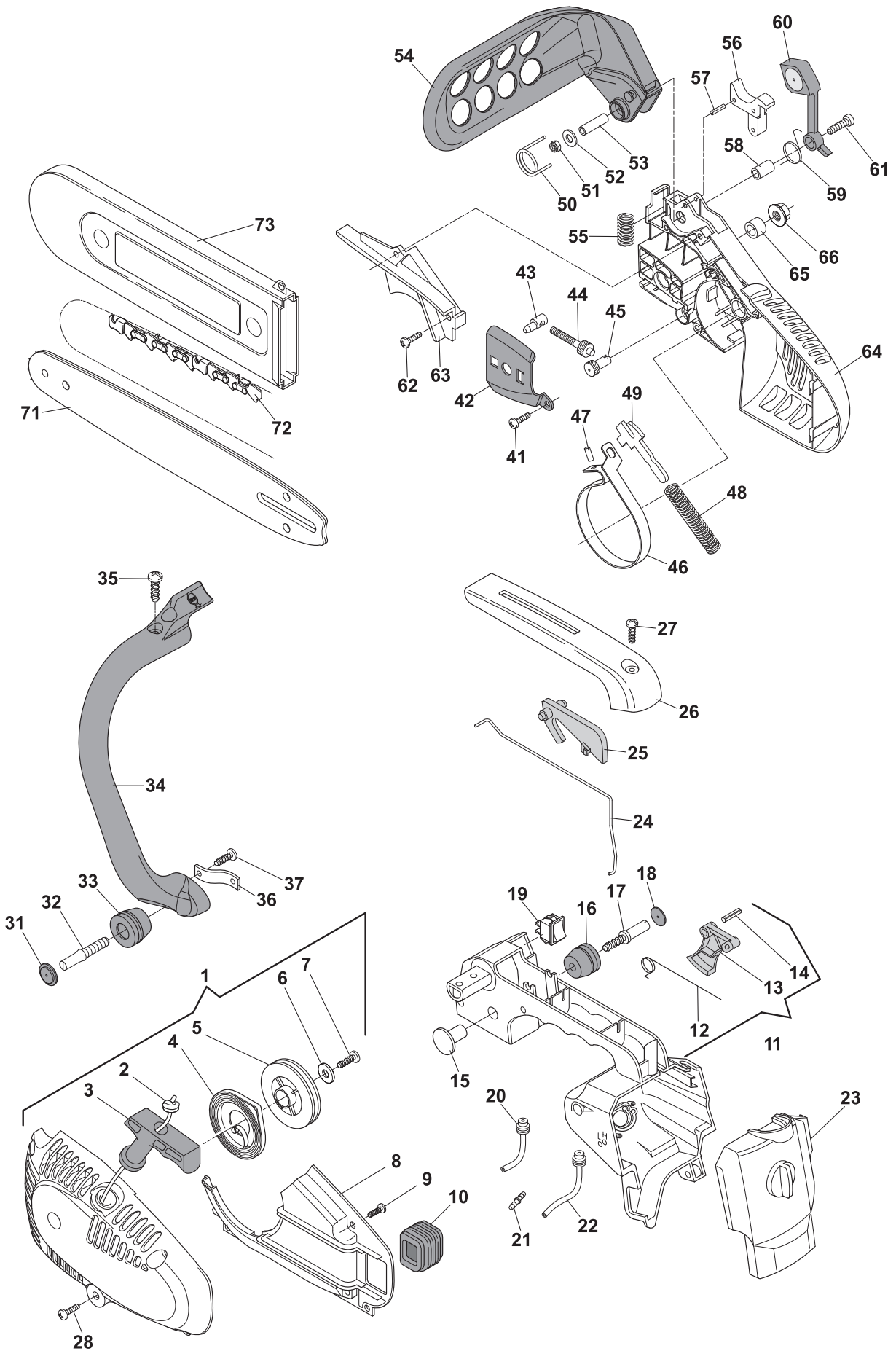
PR 270 - PR 270C

MOTORE, ENGINE, MOTEUR, MOTOR



PR 270 - PR 270C

CARROZZERIA, HOUSING, CARTER, GEHÄUSE



N°	Code	Q.ty	Descrizione	Description	Description	Beschreibung	Remarks
1	83058007/0	1	Ass. Avviatore Giallo	Starter Assy Yellow	Démarreur Jaune	Set Starter Gelb	
1	83058008/0	1	Ass. Avviatore Rosso	Starter Assy Red	Démarreur Rouge	Set Starter Rot	
2	23234000/0	1	Fune Avviamento	Starter Cord	Câble Démarrage	Seil Starter	
3	3750067	1	Impugnatura Avviamento	Starter Handle	Poignée Démarrage	Griff Starter	
4	23430557/0	1	Molla Avviamento	Starter Spring	Ressort Démarrage	Feder Starter	
5	23604001/0	1	Puleggia Avviamento	Starter Pulley	Poulie Démarrage	Riemenscheibe Starter	
6	23657002/0	1	Rondella	Washer	Rondelle	Unterlegscheibe	
7	23878010/0	1	Vite	Screw	Vis	Schraube	
8	23107501/0	1	Convogliatore Aria	Air Conveyor	Convoyeur Air	Luftsammelleitung	
9	23878008/0	1	Vite	Screw	Vis	Schraube	
10	23275004/0	1	Gommino	Grommet	Caoutchouc	Gummi	
11	6995240	1	Ass. Impugnatura	Handle Assy	Ens. Poignée	Satz Gelber	
12	6995114	1	Molla Leva Acceleratore	Spring	Ressort	Feder Gashebel	
13	6995134	1	Leva Acceleratore	Throttle Lever	Levier Accélérateur	Gashebel	
14	6995016	1	Spina Elastica	Elastic Pin	Cheville	Stift	
15	6995196	1	Tappo	Cap	Bouchon	Stopfen	
16	23275005/0	1	Gommino Antivibrante	Shock Absorber	Caoutchouc Antivibrations	Schwingungsdämpfer	
17	23878007/0	1	Vite	Screw	Vis	Schraube	
18	23790006/0	1	Tappo Per Gommino Antivib	Cap	Bouch. Pour Caout. Anti-Vib.	Stopfen	
19	6995226	1	Interruttore Stop	Switch	Interrupteur D'Arrêt	Stop-Schalter	
20	6995198	1	Tube	Tube	Tube	Rohr	
21	6995199	2	Raccordo Tubi	Tube Connection	Connexion Tube	Anschluss	
22	6995197	2	Tube	Tube	Tube	Rohr	
23	6995218	1	Carter Posteriore	Rear Cover	Couvercle Arriere	Deckel	
24	6995215	1	Tirante Acceleratore	Throttle Rod	Tige Accélérateur	Spannstift Gashebel	
25	6995135	1	Leva Sicurezza	Safety Lever	Levier De Sécurité	Sicherheitshebel	
26	6995195	1	Parte Superiore Impugnatura	Handle, Upper Part	Poignée, Partie Superieure	Griff, Oberteil	
27	23878008/0	1	Vite	Screw	Vis	Schraube	
28	23878008/0	4	Vite	Screw	Vis	Schraube	
31	23790006/0	1	Tappo Per Gommino Antivib	Cap	Bouch. Pour Caout. Anti-Vib.	Stopfen	
32	23878007/0	1	Vite	Screw	Vis	Schraube	
33	23275005/0	1	Gommino Antivibrante	Shock Absorber	Caoutchouc Antivibrations	Schwingungsdämpfer	
34	23105000/0	1	Corrimano	Handle	Main-Courante	Handlauf	
35	23878010/0	2	Vite	Screw	Vis	Schraube	
36	23200001/0	1	Piastrina	Plate	Plaque	Platte	
37	23878010/0	1	Vite	Screw	Vis	Schraube	
41	23878009/0	1	Vite	Screw	Vis	Schraube	
42	23311003/0	1	Lamierino Base Barra	Bar Plate	Plaquette Guide	Blech Stangenbasis	
43	23796004/0	1	Dado	Nut	Ecrou	Mutter	
44	23878005/0	1	Vite	Screw	Vis	Schraube	
45	23510093/0	1	Perno	Pin	Pivot	Bolzen	
46	23448001/0	1	Nastro Freno	Brake Band	Bande Frein	Bremsband	
47	23665001/0	1	Rullino	Needle	Rouleau	Walze	
48	23430561/0	1	Molla	Spring	Ressort	Feder	
49	23315061/0	1	Leva Aggancio Freno	Lever	Levier Enclenchement Frein	Hebel F. Bremse	
50	23430560/0	1	Molla	Spring	Ressort	Feder	
51	23120000/0	1	Dado	Nut	Ecrou	Mutter	
52	23657003/0	1	Rondella	Washer	Rondelle	Unterlegscheibe	
53	23044206/0	1	Boccola	Bushing	Douille	Büchse	
54	23455005/0	1	Paramano	Hand Guard	Protège-Main	Handschutz	
55	23430559/0	1	Molla	Spring	Ressort	Feder	
56	83315050/0	1	Leva Aggancio Freno Catena	Chain Brake Lever	Levier Encl. Frein Chaîne	Klemmung Kettenbremse	
57	23665000/0	1	Rullino	Needle	Rouleau	Walze	
58	23044207/0	1	Boccola	Bushing	Douille	Büchse	

N°	Code	Q.ty	Descrizione	Description	Description	Beschreibung	Remarks
59	23430558/0	1	Molla	Spring	Ressort	Feder	
60	23080000/0	1	Contrappeso	Balance Weigth	Contrepoids	Gegengewicht	
61	23878006/0	1	Vite	Screw	Vis	Schraube	
62	23878009/0	3	Vite	Screw	Vis	Schraube	
63	23109515/0	1	Coperchio Freno	Brake Cover	Couvercle Frein	Bremsdeckel	
64	23059008/0	1	Carter Frizione Giallo	Clutch Housing Yellow	Carter Friction Jaune	Kupplungsgeh. Gelb	
64	23059009/0	1	Carter Frizione Rosso	Clutch Housing Red	Carter Friction Rouge	Kupplungsgeh. Rot	
65	3641380	1	Boccola	Bushing	Douille	Büchse	
66	2670120	1	Dado	Nut	Ecrou	Mutter	
71	23900300/0	1	Barra 10" - 3/8"	Guide Bar 10" - 3/8"	Guide 10" - 3/8"	Stange 10" - 3/8"	10" 3/8"mini .050"/1.3mm
71	23900301/0	1	Barra 10" - 1/4" Carving	Guide Bar 10" - 1/4"	Guide 10" - 1/4"	Stange 10" - 1/4"	10" Carving 1/4"mini .050"/1.3mm
72	23920103/0	1	Catena 10" - 3/8"	Chain 10" - 3/8"	Chaîne 10" - 3/8"	Kette 10" - 3/8"	10" 3/8" .050 1.3 mm - 40E 91VG
72	23920104/0	1	Catena 10" - 1/4 " Carving	Chain 10" - 1/4"	Chaîne 10" - 1/4"	Kette 10" - 1/4"	10" 1/4" .050 1.3 mm - 60E 25AP
73	23085000/0	1	Copribarra	Chain Cover	Protège-Guide	Schw. Stangenabde- ckung	